

We Set the Standard in **SLIMLINE** Filters for over 25 years

SYSTEM 700

WLF Series= Wet Lint Filter

FIBERGLASS OR STAINLESS

SLIMLINE INSTALLS IN THE SAME SPACE AS SYSTEM 500 DRY MODELS

Compact with Self-contained Water System

- Designed for 100% of lint removal
- Safe for volatile exhaust transmissions
- Reduces heat, smoke, odors and exhaust temperatures
- Vortex Spray
- Automatic wash

CUSTOMER ADVANTAGES:

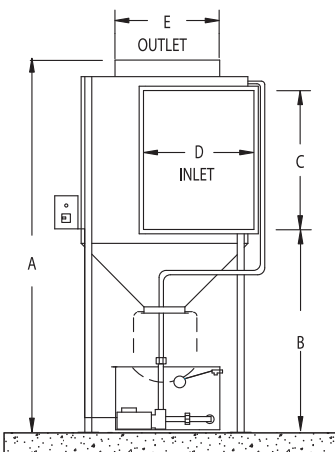
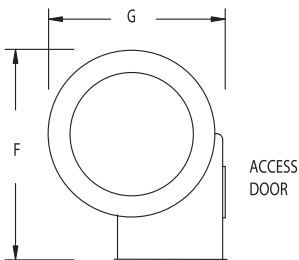
- Smaller installation space
- NO LEAK construction
- Spray Systems is made of: Bronze/Copper/Stainless
- Large access door for cleaning
- Double lint bags, filters more lint
- Stainless Steel/fiberglass water reservoir (no rust) located within perimeter of filter

THE INDUSTRY'S FIRST "INLINE" WET FILTER



STAINLESS STEEL

FIBERGLASS



SYSTEM 700				
	WLF-706	WLF-715	WLF-725	WLF-735
CFM*	6,000	15,000	25,000	35,000
A	93	108	122	130
B	54	59	74	66
C	30	40	42	50
D	20	30	42	50
E	24	30	42	48
F	58	68	95	104
G	41	52	84	84

ALL DIMENSIONS NOTED ARE IN INCHES
 * MAXIMUM CFM RATING. RECOMMEND OVERSIZING FILTER MODEL 10-20% OVER TOTAL DRYER EXHAUST CFM.
 CONSULT FACTORY FOR DIMENSIONS OF OPTIONAL EQUIPMENT.

www.tqind.com/clean_cycle
 email: ccsystems@tqind.com

PHONE: 830-401-4400 * TOLL FREE 800 826-1245 * FAX 830-401-0600 Form #: ccs wlf 700 509

Lint Filter Options + Upgrades

FOR THE WLF-700 Series

Please contact us to discuss your installation and the options listed below.

System 700 is outstanding in performance in situations where total lint removal is mandated. The System 700 is the industries first "inline" style "wet lint filter", i.e., tall, slender and represents a design concept requiring minimum space to install while providing a large area filtration system.

The 700 System has been in production for over 15 years, shipping nationally and internationally.

Clean Cycle offers four (4) sizes with CFM ratings ranging from 6,000 to 35,000 CFM. All **System 700** models are **available in either fiberglass or stainless steel body** assemblies and all are all-weather construction which may be mounted outside

Durably built for top performance: Spray nozzles are located in the top and sides of main chamber to properly wet lint or particulate matter entering the lint collector. It consist of an outer and inner cylindrical shell which will produce a vortex air flow condition to ensure the incoming air is sufficiently washed by the spray nozzles and is exhausted to the atmosphere. An access door is located at the inlet exhaust side of the main chamber to allow normal maintenance. Door is completely sealed by a gasket, hinged on one end and secured on the other end to prevent any leakage.

Choosing the right filter

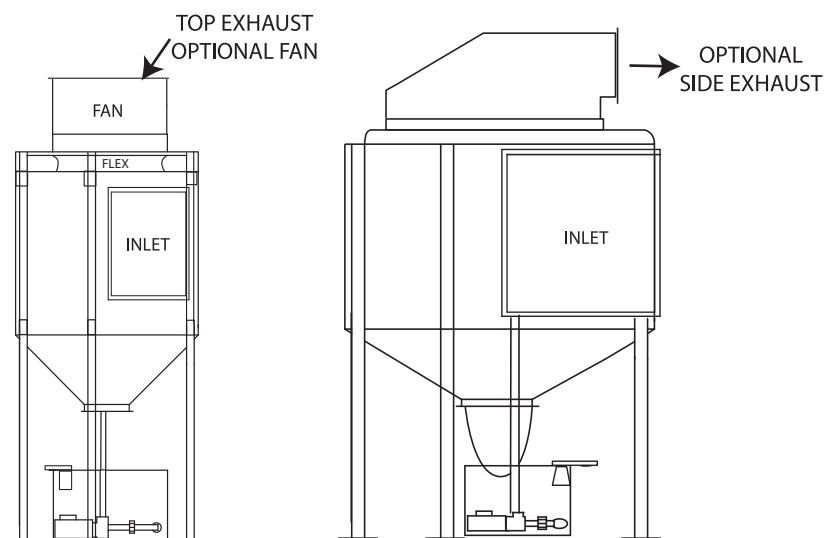
Due to varying exhaust designs, it is good practice to select a filter rating that is oversized by at least 20% of the dryer's rating.

Example: For a dryer installation having a combined total of 8500 CFM, a filter with 10,000 CFM capacity should be used.

Options

Options

- Stainless Steel Tank
- Fiberglass Side Outlet
- Stainless Steel Side Outlet
- Inlet Plate with Slip Collars
- Inlet Plate with Back Draft Dampers
- Inline Fan, *Damper and Motor Starter*
- Variable Frequency Drive Tubeaxial Fan, Pressure Transducer Controlled



Clean Cycle Systems

A division of TQI, llc

www.cleancyclesystems.com • email: ccsystems@tqind.com

PHONE: 830-401-4400 * TOLL FREE 800 826-1245 * FAX 830-401-0600